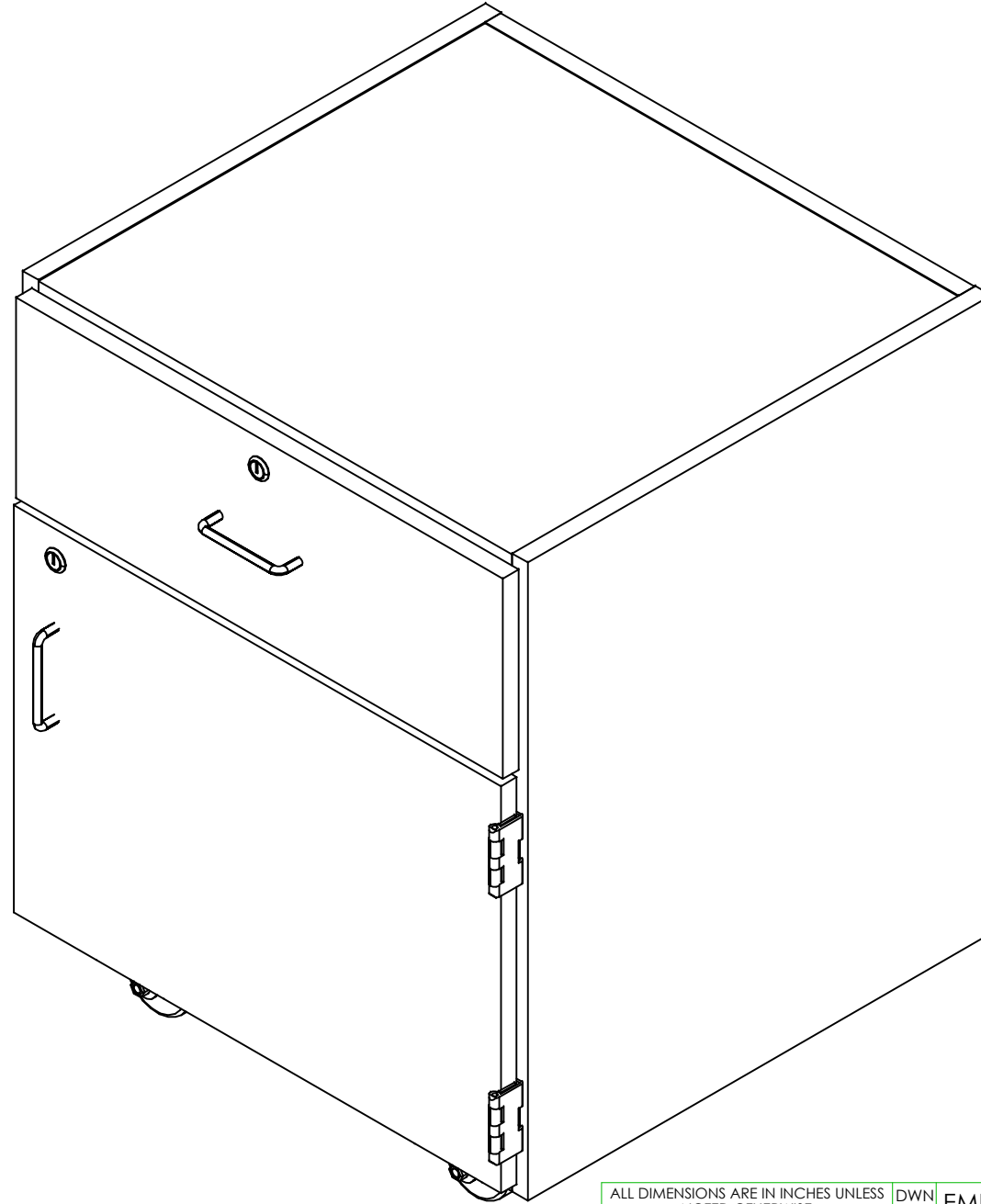


"M" SERIES CABINETS

M18, M19, M33, M40, M95, & M96 SERIES (OAK OR MAPLE)
ASSEMBLY INSTRUCTIONS



NOTE:

1. MODEL VIEWS MAY NOT REPRESENT EXACT MODEL PURCHASED

ALL DIMENSIONS ARE IN INCHES UNLESS NOTED OTHERWISE	DWN BY:	EMR	DATE DWN:	12/19/14
DECIMALS: .X = ± .030	APR BY:		DATE APR:	
.XX = ± .020	APR BY:		DATE APR:	
.XXX = ± .010	APR BY:		DATE APR:	
ANGLES: = ± 1°				
CABINET SQUARENESS = ± .0625				



300 South Krueger Street
Suring, WI 54174
diversifiedwoodcrafts.com

CONFIDENTIAL:
ALL DESIGN RIGHTS RESERVED.
THE INFORMATION, DATA, DESIGN, AND DRAWINGS EMBODIED IN THIS DOCUMENT AND ALL REPRODUCTIONS THEREOF ARE THE EXCLUSIVE PROPERTY OF DIVERSIFIED WOODCRAFTS, INC.

TITLE:
"M" SERIES CABINETS
ASSEMBLY INSTRUCTIONS

THESE DOCUMENTS ARE SUPPLIED WITH THE UNDERSTANDING THAT THEY WILL NOT BE DISCLOSED TO THIRD PARTIES WITHOUT WRITTEN CONSENT OF DIVERSIFIED WOODCRAFTS, INC. ANY REPRODUCTION IN PART OR WHOLE WITHOUT WRITTEN CONSENT IS SUBJECT TO LEGAL ACTION.

DRAWING NUMBER:	SCALE:	SHEET:	REVISION:
"M" SERIES CABINETS	NTS	1 OF 5	REV B

REV.	DESCRIPTION	DATE	NAME	ECN No.
B	UPDATED CASTER STEP	3/7/2024	RJM	1447
A	CREATED ASSEMBLY INSTRUCTIONS	12/19/14	EMR	N/A
REVISION LEVEL				

TOOLS REQUIRED

DRILL

3/8" WRENCH

ASSEMBLY COMPONENTS

ITEMS INCLUDED	PART #	PART DESCRIPTION	QTY
CABINET ASSEMBLY	N/A	CABINET ASSEMBLY (FACTORY ASSEMBLED)	1
CASTERS	222033	CASTERS, 3 POLY. SWIVEL PLATE, W/ BRAKE	4
CASTER HARDWARE KIT	206509	CASTER, ASSY, HDWRE, 16-SCREWS, 16-NUTS	1

NOTE:

1.

ALL DIMENSIONS ARE IN INCHES UNLESS NOTED OTHERWISE DECIMALS: .X = ± .030 .XX = ± .020 .XXX = ± .010 ANGLES: = ± 1° CABINET SQUARENESS = ± .0625	DWN BY:	EMR	DATE DWN:	12/19/14
	APR BY:		DATE APR:	
	APR BY:		DATE APR:	
	APR BY:		DATE APR:	



300 South Krueger Street
 Suring, WI 54174
 diversifiedwoodcrafts.com

CONFIDENTIAL:
 ALL DESIGN RIGHTS RESERVED.
 THE INFORMATION, DATA, DESIGN, AND DRAWINGS EMBODIED IN THIS DOCUMENT AND ALL REPRODUCTIONS THEREOF ARE THE EXCLUSIVE PROPERTY OF DIVERSIFIED WOODCRAFTS, INC.

TITLE:
 "M" SERIES CABINETS
 TOOLS AND ASSEMBLY COMPONENTS

THESE DOCUMENTS ARE SUPPLIED WITH THE UNDERSTANDING THAT THEY WILL NOT BE DISCLOSED TO THIRD PARTIES WITHOUT WRITTEN CONSENT OF DIVERSIFIED WOODCRAFTS, INC. ANY REPRODUCTION IN PART OR WHOLE WITHOUT WRITTEN CONSENT IS SUBJECT TO LEGAL ACTION.

DRAWING NUMBER:	SCALE:	SHEET:	REVISION:
"M" SERIES CABINETS	NTS	2 OF 5	REV B

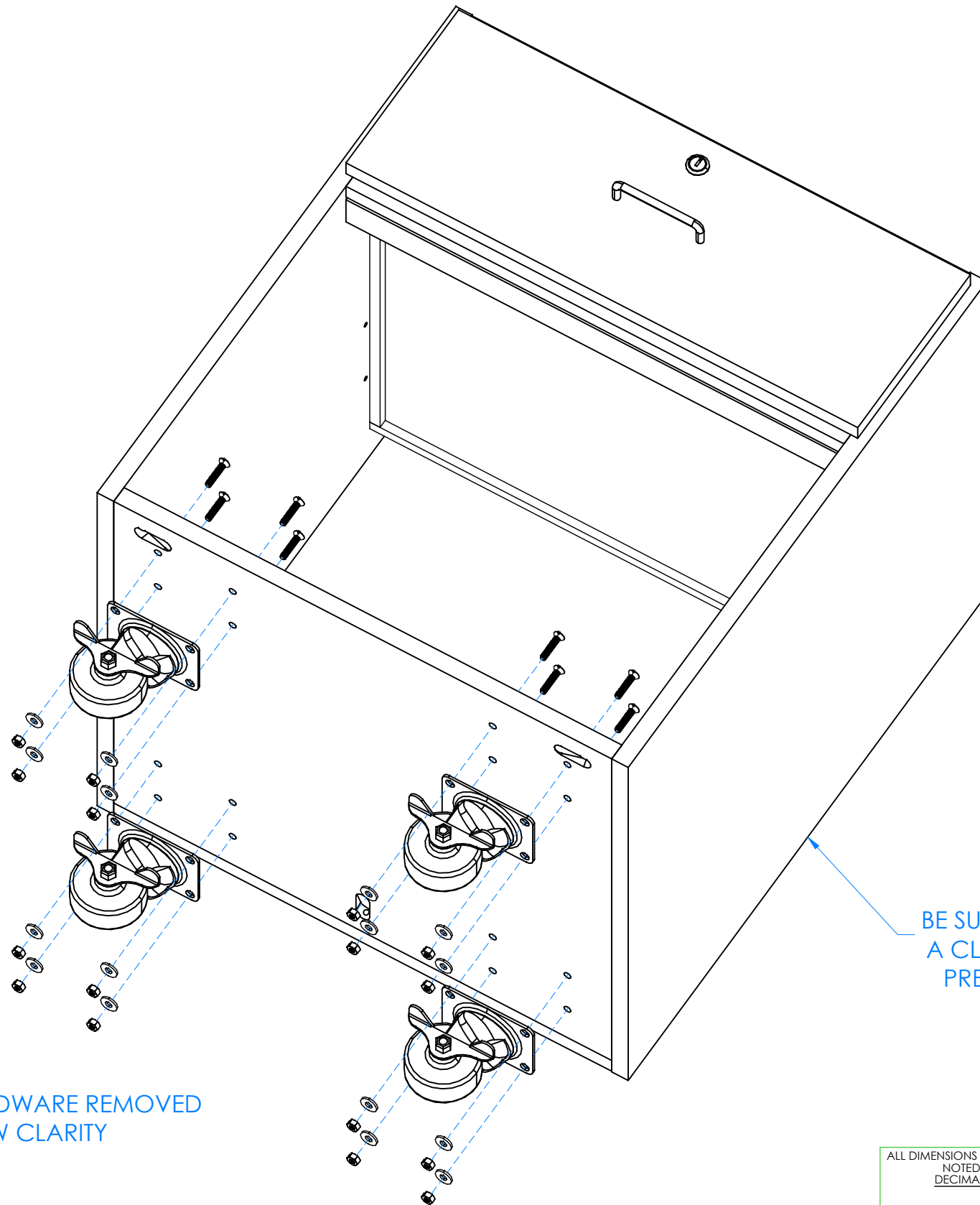
REV.	DESCRIPTION	DATE	NAME	ECN No.
B	UPDATED CASTER STEP	3/7/2024	RJM	1447
A	CREATED ASSEMBLY INSTRUCTIONS	12/19/14	EMR	N/A
REVISION LEVEL				

HARDWARE REQUIRED FOR STEP

QTY	DESCRIPTION	PART NUMBER
4	CASTERS	100081
1	CASTER HARDWARE KIT	206509

STEP 1:

- a. LAY CABINET ON ITS BACK.
- b. ATTACH CASTERS FROM INSIDE THE CABINET USING PROVIDED HARDWARE LISTED ABOVE. ****SEE NOTE****



DOOR AND HARDWARE REMOVED TO SHOW CLARITY

****NOTE****
BE SURE CABINET IS ON
A CLEAN SURFACE TO
PREVENT DAMAGE

NOTE:

1. ****ATTACH CASTERS WITH FLAT HEAD BOLT THREADS FACING OUTSIDE OF THE CABINET LIKE SHOWN ABOVE.****

ALL DIMENSIONS ARE IN INCHES UNLESS NOTED OTHERWISE DECIMALS: .X = ± .030 .XX = ± .020 .XXX = ± .010 ANGLES: = ± 1° CABINET SQUARENESS = ± .0625	DWN BY: EMR APR BY: APR BY:	DATE DWN: 12/19/14 DATE APR: DATE APR:
---	-----------------------------------	--



300 South Krueger Street
Suring, WI 54174
diversifiedwoodcrafts.com

CONFIDENTIAL:
ALL DESIGN RIGHTS RESERVED.
THE INFORMATION, DATA, DESIGN, AND DRAWINGS EMBODIED IN THIS DOCUMENT AND ALL REPRODUCTIONS THEREOF ARE THE EXCLUSIVE PROPERTY OF DIVERSIFIED WOODCRAFTS, INC.

TITLE:
**"M" SERIES CABINETS
ASSEMBLY INSTRUCTIONS**

THESE DOCUMENTS ARE SUPPLIED WITH THE UNDERSTANDING THAT THEY WILL NOT BE DISCLOSED TO THIRD PARTIES WITHOUT WRITTEN CONSENT OF DIVERSIFIED WOODCRAFTS, INC. ANY REPRODUCTION IN PART OR WHOLE WITHOUT WRITTEN CONSENT IS SUBJECT TO LEGAL ACTION.

DRAWING NUMBER: "M" SERIES CABINETS	SCALE: NTS	SHEET: 3 OF 5	REVISION: REV B
---	---------------	------------------	--------------------

REV.	DESCRIPTION	DATE	NAME	ECN No.
B	UPDATED CASTER STEP	3/7/2024	RJM	1447
A	CREATED ASSEMBLY INSTRUCTIONS	12/19/14	EMR	N/A
REVISION LEVEL				

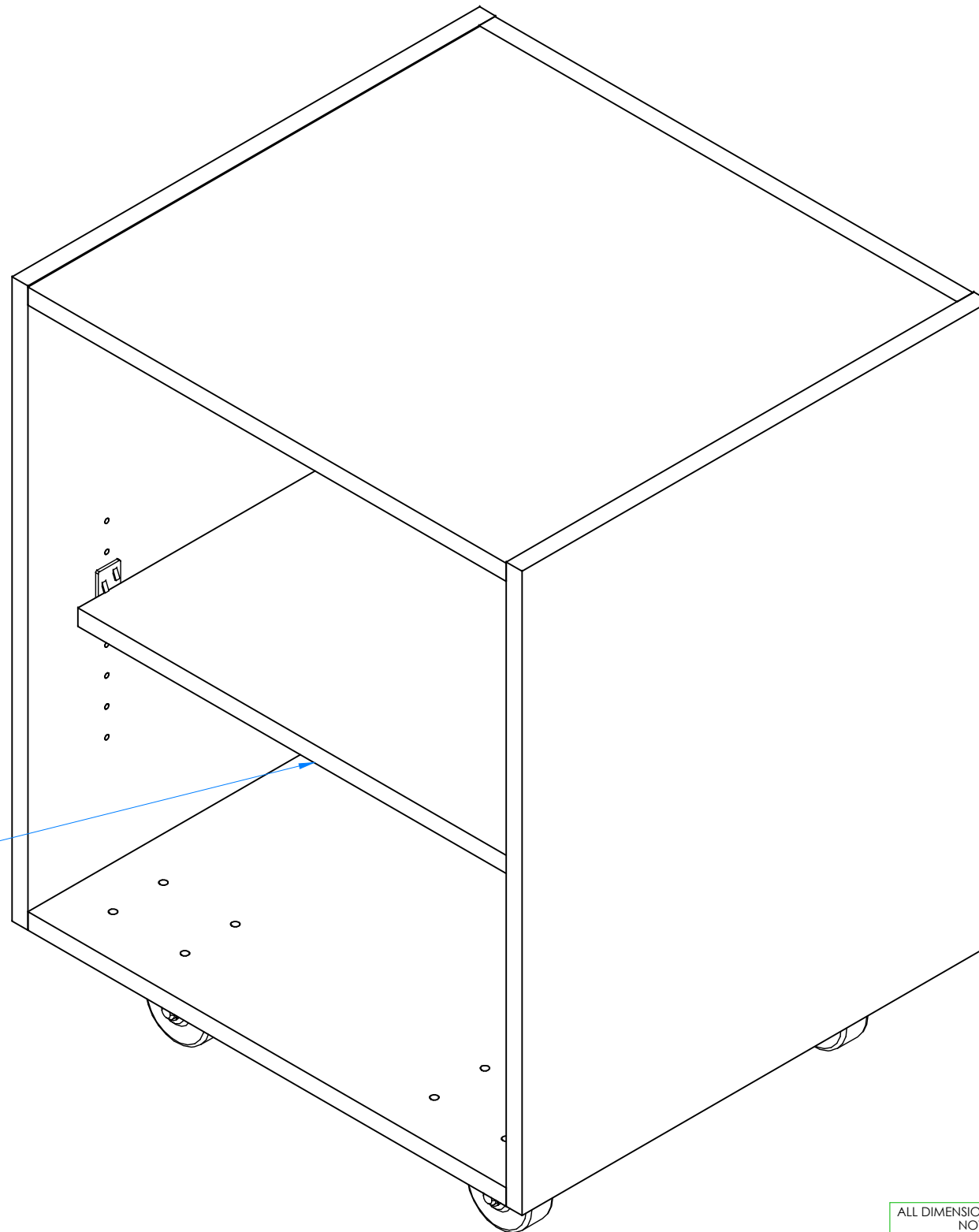
HARDWARE REQUIRED FOR STEP

QTY	DESCRIPTION	PART NUMBER
4	SHELF CLIPS	100027

STEP 2:

- a. IF YOUR UNIT DOES NOT HAVE AN ADJUSTABLE SHELF, SKIP TO 3.
- b. INSERT SHELF CLIPS IN DESIRED LOCATION.
- c. PLACE SHELF ON CLIPS, MAKING SURE IT IS LEVEL.

ADJUSTABLE SHELF



DOOR AND HARDWARE REMOVED TO SHOW CLARITY

NOTE:

1.

ALL DIMENSIONS ARE IN INCHES UNLESS NOTED OTHERWISE DECIMALS: .X = ± .030 .XX = ± .020 .XXX = ± .010 ANGLES: = ± 1° CABINET SQUARENESS = ± .0625	DWN BY:	EMR	DATE DWN:	12/19/14
	APR BY:		DATE APR:	
	APR BY:		DATE APR:	
	APR BY:		DATE APR:	



300 South Krueger Street
Suring, WI 54174
diversifiedwoodcrafts.com

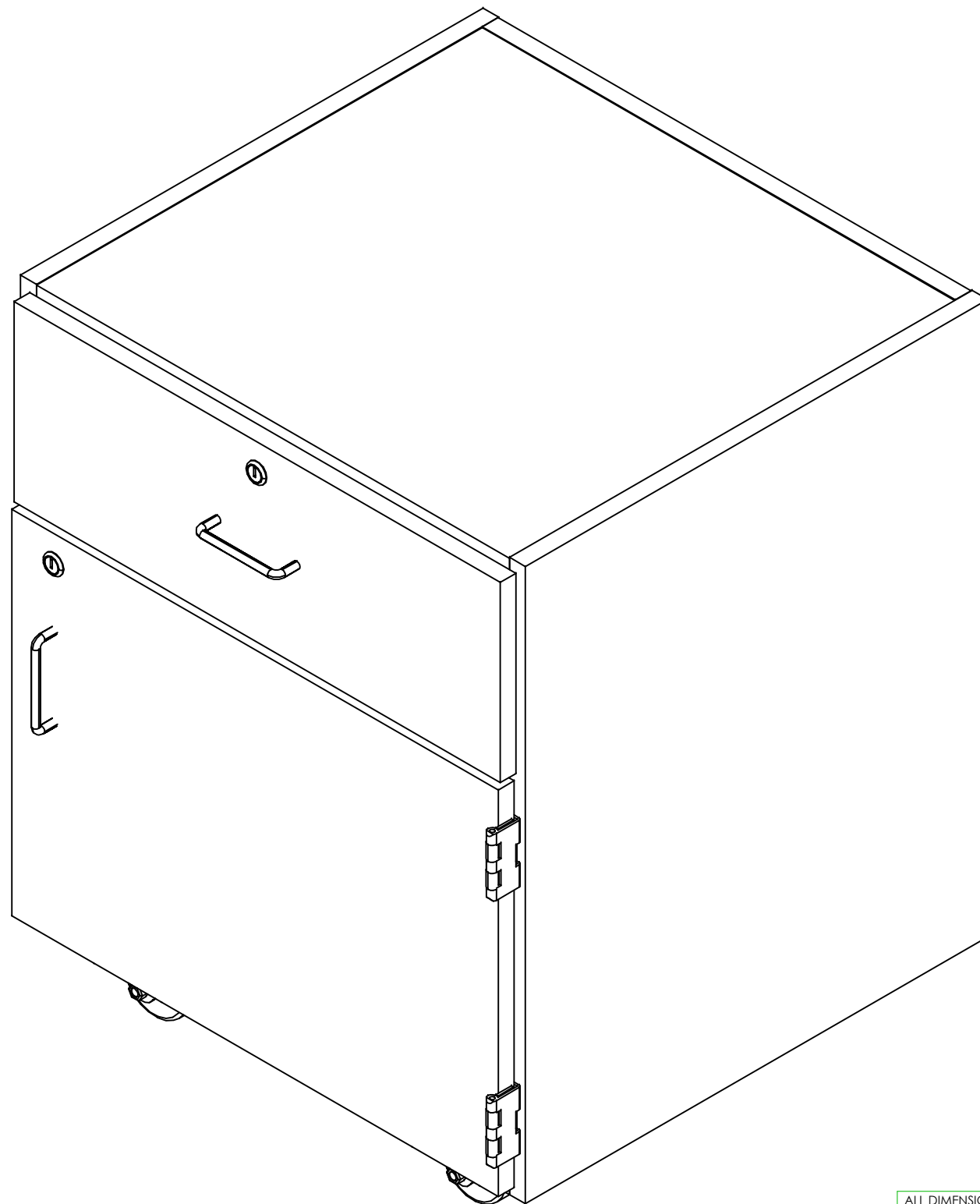
CONFIDENTIAL:
ALL DESIGN RIGHTS RESERVED.
THE INFORMATION, DATA, DESIGN, AND DRAWINGS EMBODIED IN THIS DOCUMENT AND ALL REPRODUCTIONS THEREOF ARE THE EXCLUSIVE PROPERTY OF DIVERSIFIED WOODCRAFTS, INC.

TITLE:
"M" SERIES CABINETS
ASSEMBLY INSTRUCTIONS

THESE DOCUMENTS ARE SUPPLIED WITH THE UNDERSTANDING THAT THEY WILL NOT BE DISCLOSED TO THIRD PARTIES WITHOUT WRITTEN CONSENT OF DIVERSIFIED WOODCRAFTS, INC. ANY REPRODUCTION IN PART OR WHOLE WITHOUT WRITTEN CONSENT IS SUBJECT TO LEGAL ACTION.

DRAWING NUMBER:	SCALE:	SHEET:	REVISION:
"M" SERIES CABINETS	NTS	4 OF 5	REV B

REV.	DESCRIPTION	DATE	NAME	ECN No.
B	UPDATED CASTER STEP	3/7/2024	RJM	1447
A	CREATED ASSEMBLY INSTRUCTIONS	12/19/14	EMR	N/A
REVISION LEVEL				



STEP 3:

- a. PLACE MOBILE CABINET IN DESIRED LOCATION.

NOTE:

1.

COMPLETE UNIT SHOWN

REV.	DESCRIPTION	DATE	NAME	ECN No.
B	UPDATED CASTER STEP	3/7/2024	RJM	1447
A	CREATED ASSEMBLY INSTRUCTIONS	12/19/14	EMR	N/A
REVISION LEVEL				

ALL DIMENSIONS ARE IN INCHES UNLESS NOTED OTHERWISE DECIMALS: .X = ± .030 .XX = ± .020 .XXX = ± .010 ANGLES: = ± 1° CABINET SQUARENESS = ± .0625	DWN BY: EMR APR BY: APR BY:	DATE DWN: 12/19/14 DATE APR: DATE APR:
---	-----------------------------------	--

CONFIDENTIAL:
ALL DESIGN RIGHTS RESERVED.
THE INFORMATION, DATA, DESIGN, AND DRAWINGS EMBODIED IN THIS DOCUMENT AND ALL REPRODUCTIONS THEREOF ARE THE EXCLUSIVE PROPERTY OF DIVERSIFIED WOODCRAFTS, INC.

THESE DOCUMENTS ARE SUPPLIED WITH THE UNDERSTANDING THAT THEY WILL NOT BE DISCLOSED TO THIRD PARTIES WITHOUT WRITTEN CONSENT OF DIVERSIFIED WOODCRAFTS, INC. ANY REPRODUCTION IN PART OR WHOLE WITHOUT WRITTEN CONSENT IS SUBJECT TO LEGAL ACTION.



300 South Krueger Street
Suring, WI 54174
diversifiedwoodcrafts.com

TITLE:
"M" SERIES CABINETS
ASSEMBLY INSTRUCTIONS

DRAWING NUMBER: "M" SERIES CABINETS	SCALE: NTS	SHEET: 5 OF 5	REVISION: REV B
---	---------------	------------------	--------------------